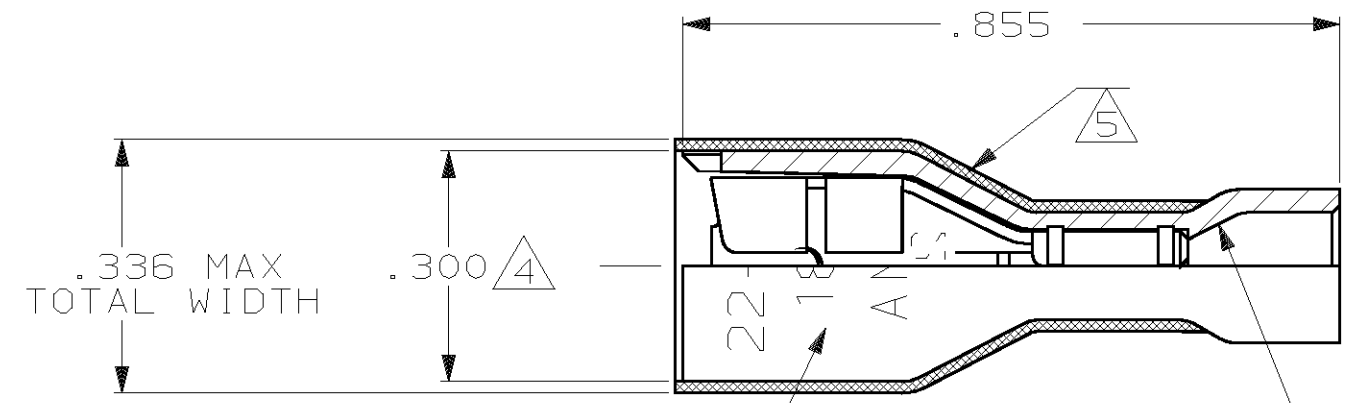
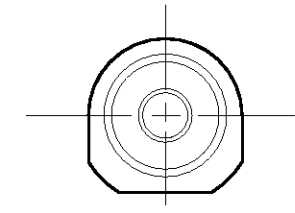
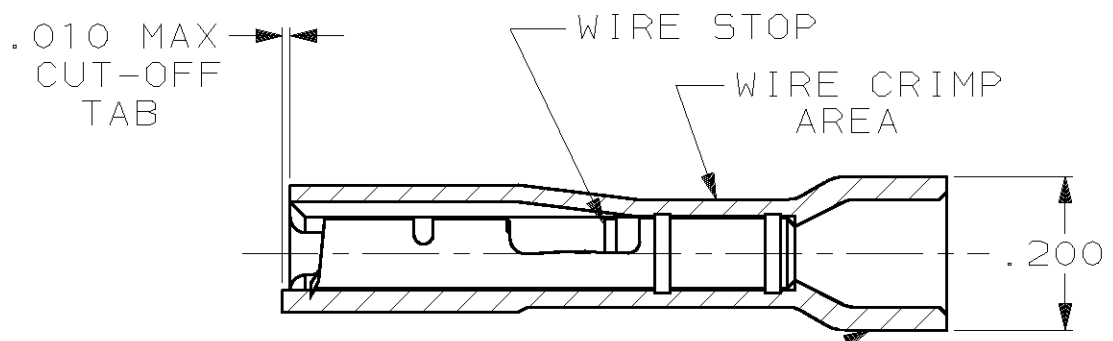
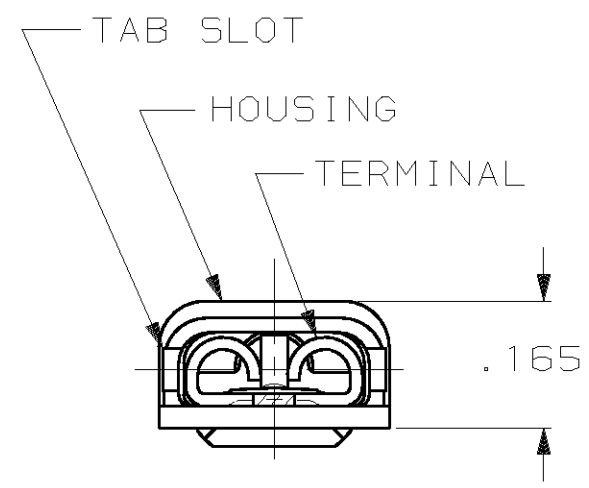


THIS DRAWING IS UNPUBLISHED. RELEASED FOR PUBLICATION, 19
 © COPYRIGHT 19 BY AMP INCORPORATED. ALL INTERNATIONAL RIGHTS RESERVED.

LOC	DIST	P	F	ZONE	LTR	REVISIONS	DATE	APPD
AF	50				M	REV PER 0G1A-0147-99	3JUN99	JR/JH



- 1 MATES WITH .020±.001×.187 TAB
- 2 WIRE STRIP LENGTH .281
- 3 INSULATION SIZE .135 MAX DIA
- 4 DIMENSION DOES NOT INCLUDE TRIM BURR
- 5 .015 MAX CARRIER TRIM BURR PER SIDE IS ALLOWABLE IN THE SHADED AREA



INSULATION GUIDE

HOUSING: NYLON, COLOR-RED TRANSLUCENT	2-520182-2
RECEPTACLE: #3 HARD BRASS TIN PL .000080 MIN THK	

MATERIAL & FINISH		PART NO		
DO NOT SCALE PRINT. UNLESS SPECIFIED DIMENSIONS IN INCHES TOLERANCES ON: 2 PLC DEC ± - 3 PLC DEC ± .015 ANGLES ± -	DR 10/7/88 P FORTNEY	AMP INCORPORATED Harrisburg, Pa. 17105		
	CHK 10/10/88 MS FEHER			
	MATERIAL	APPD 10/10/88 K RANDOLPH	NAME	
	SEE TABLE	APPD 10/10/88 TL SHUTTER	RECEPTACLE ASSY, ULTRA-FAST, LOOSE PIECE, .187 SERIES, 22-18 AWG	
FINISH	PRODUCT SPEC 108-2043	SIZE	FSCM NO	DRAWING NO
SEE TABLE	APPLICATION SPEC 114-2123	B	00779	520182
	WEIGHT -	SCALE	SHEET	
		4:1	1 OF 1	